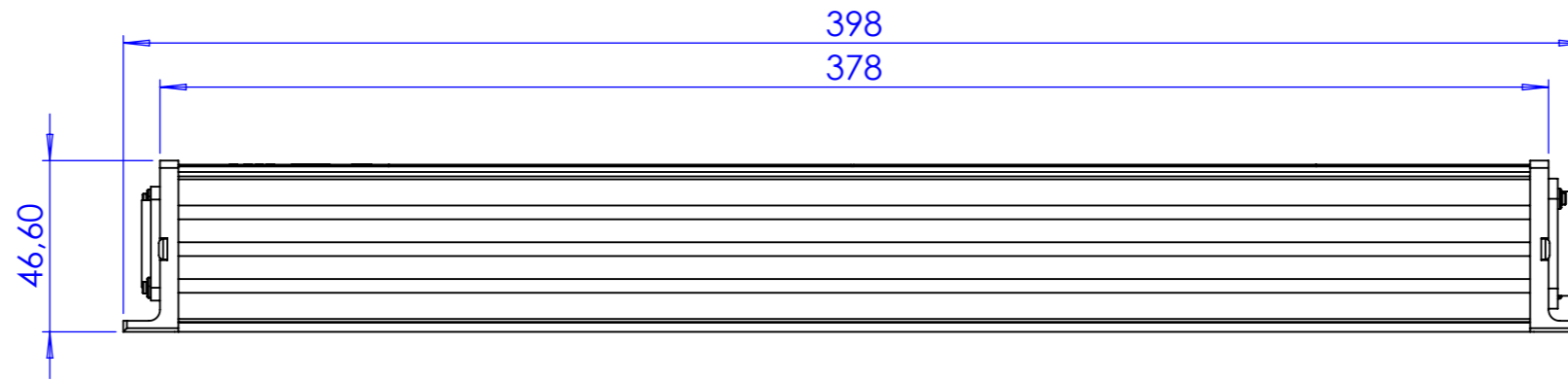
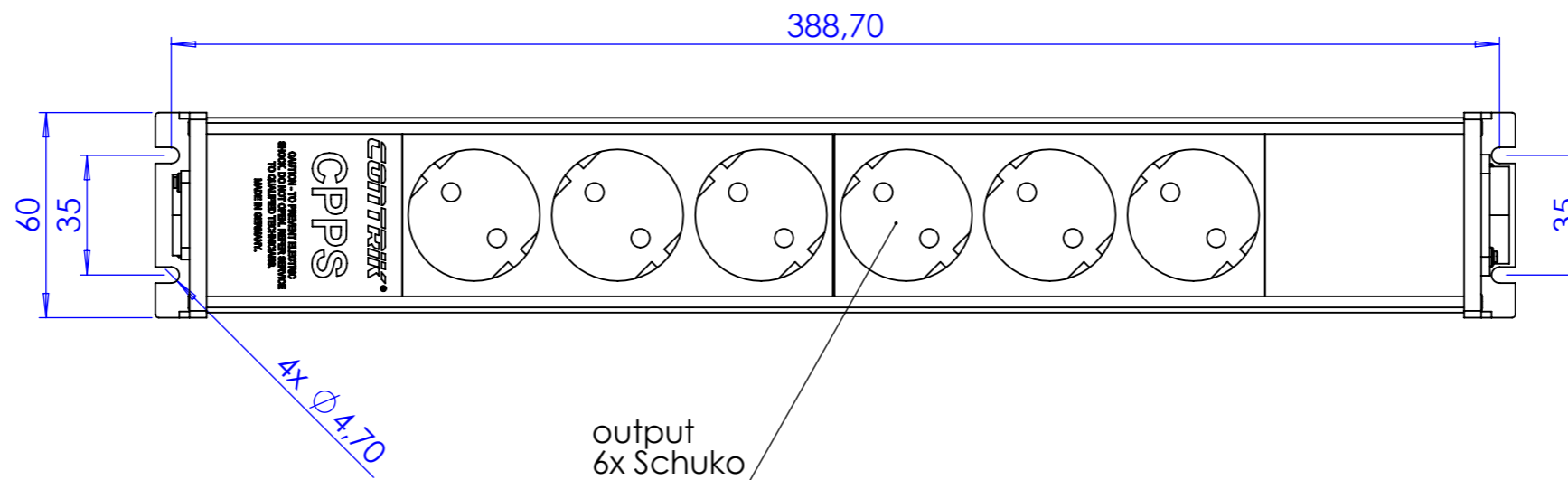
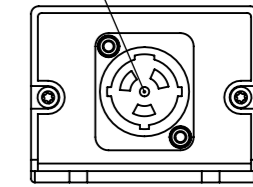


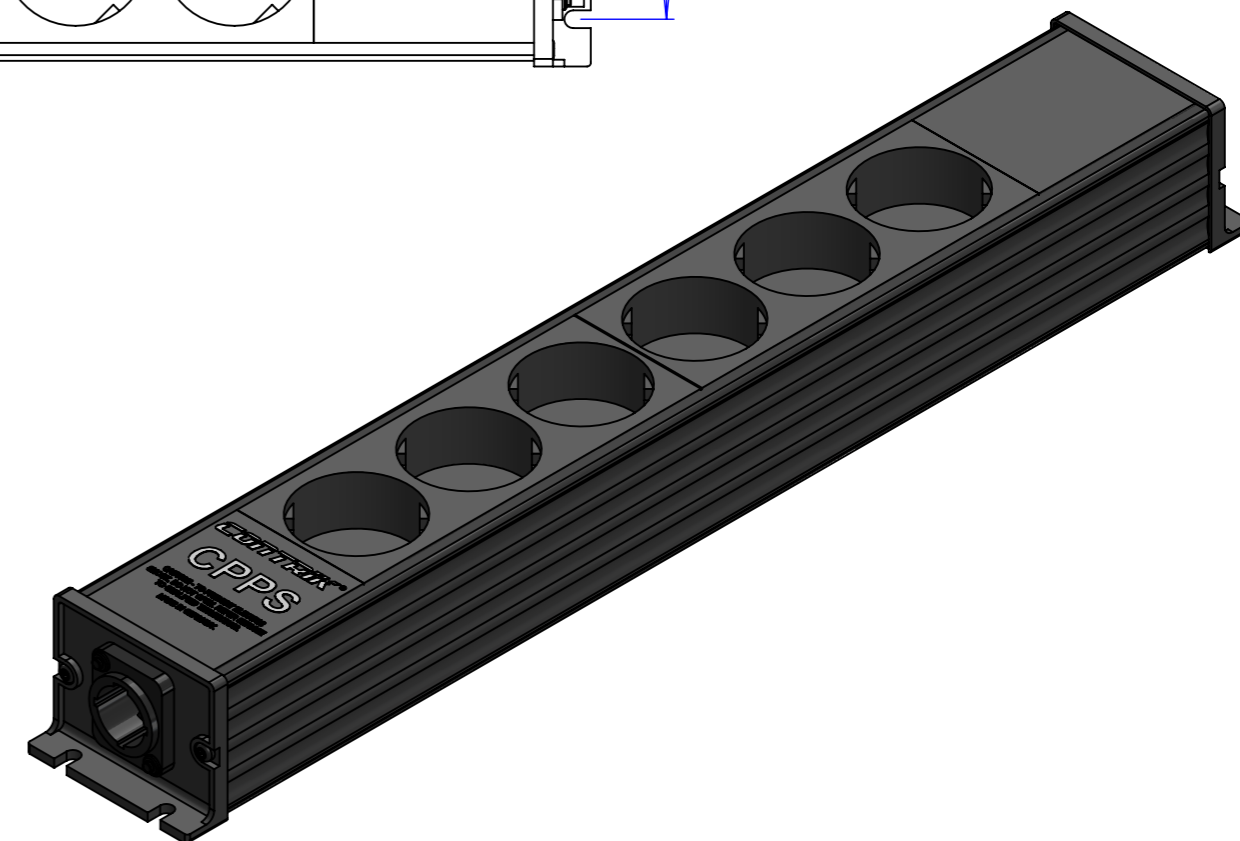
output
NAC3FPX-TOP



input
NAC3MPX-TOP



output
6x Schuko



Description	Order-Code	Comment
CPPSF6-TT 6x Schuko pC T1 In+Out	1027442	
CPPSE6-TT 6x E pC T1 In+Out	1027597	French - belgian standard

Sheet Number 1/1	Projection 	Scale 1:2	Format A3	Tolerancing ISO 2768-
g	cm ²	322.35 cm ³	Created	HeBo 01.06.2021
Material			Modified	
Material addition			Approved	DiRo 01.06.2021
Description CPPSF[E]6-TT 6xSchuko pC T1 In+Out			ECN Number	
			Status	FOR FINAL
	3D Model ID 4.10274.4.2	Document ID 10274.4.2	Revision 01	