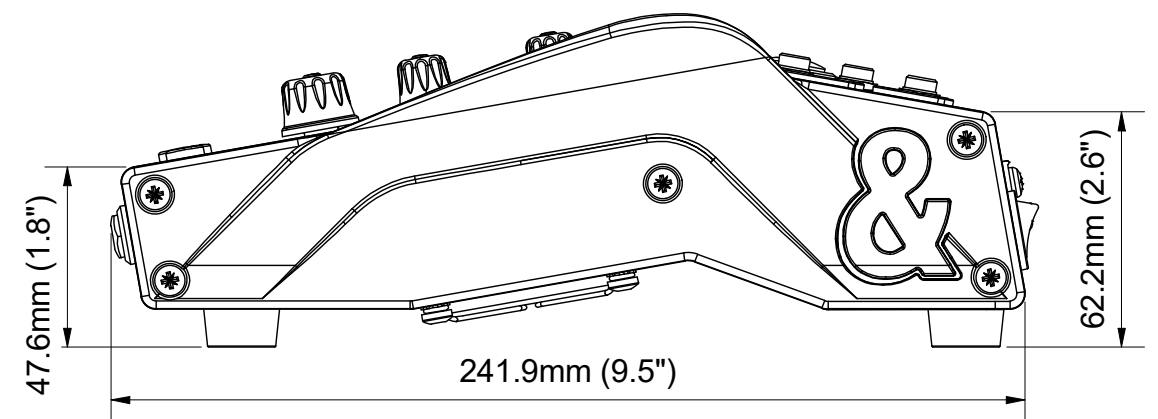
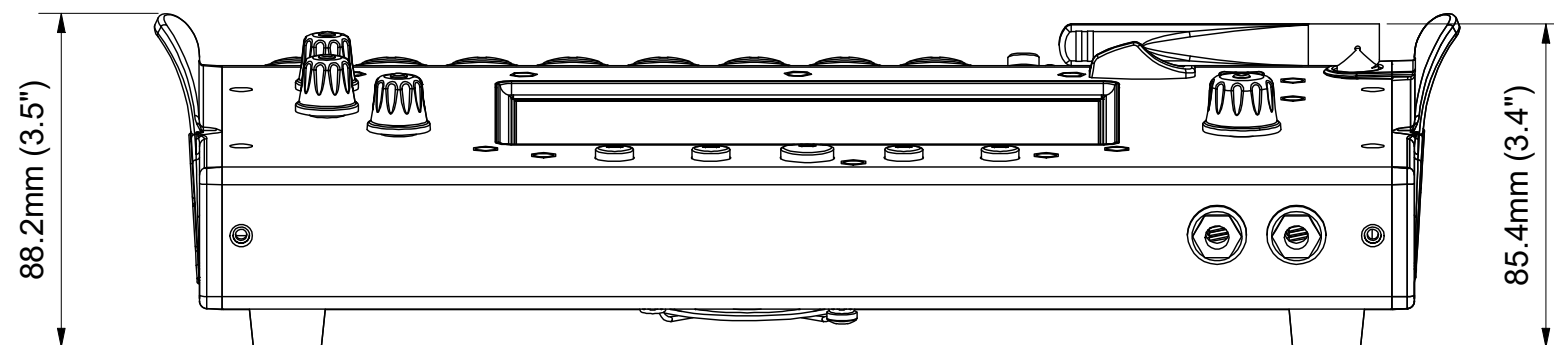


CQ-18T - without box

Width - 345.4mm/13.6"
 Depth - 241.9mm/9.5"
 Height - 88.2mm/3.5"
 Weight - 3kg

CQ-18T - with box

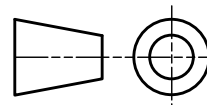
Width - 430mm/16.9"
 Depth - 310mm/12.2"
 Height - 200mm/7.9"
 Weight - 3.8kg/8.4lbs



REVISION HISTORY

REV	DESCRIPTION	ECN	DATE	APPROVED
D	FURTHER BOX TWEAKS		12/10/2020	ALEXMO
1	ARTWORK UPDATE		20/05/2021	ALEXMO

THIRD ANGLE PROJECTION



MATERIAL:

All materials to be compliant with The Restriction of Hazardous Substances (ROHS2) Directive 2011/65/EU

TOLERANCES U O S:
 GENERAL ± 0.25 HOLE CENTRES ± 0.10
 HOLE SIZES ± 0.05 ANGULAR DIMS ± 0.50°

FINISH:

DRAWING
 MAIN ASSY

UNIT CQ-18T

PART
 No 007-231

DRAWING No
 Micro L Weights and Dims

ALLEN & HEATH Ltd.

KERNICK INDUSTRIAL ESTATE
 PENRYN CORNWALL TR10 9LU
 TELEPHONE 01326 372070
 FACSIMILE 01326 370153

SHEET
 1 of 1